

OPARCK

SHAOXING DINGGAO MECHANICAL EQUIPMENT CO., LTD.



YH-9A TWO POST LIFT

More information please login
www.oparck.com
www.sxdinggao.en.alibaba.com

PRODUCT DESCRIPTION

- Two post car lift, beautiful appearance, save space. Maintenance and repair.
- Motor driven oil pump driven hydraulic cylinder, wire rope drive, quiet working environment.
- Mechanical safety lock, can be arbitrarily locked in the design range of height for operation, safe and reliable.
- Bilateral manual unlocking, convenient and fast, safety device for chain break.
- After strict CE certification test, 120% dynamic load test, 150% static load test.



FOCUS ON R&D, MANUFACTURING AND SALES OF CAR LIFT EQUIPMENT

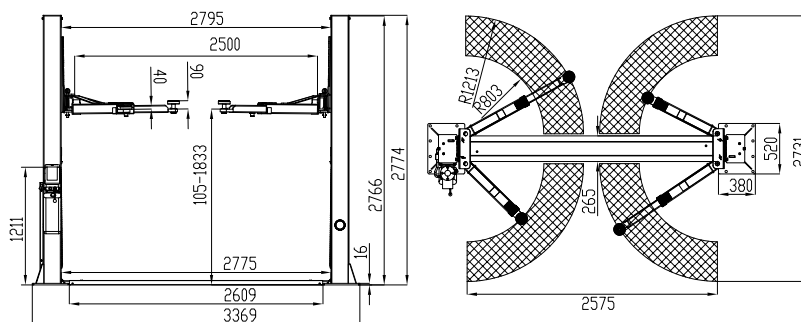
YH-9A

TWO POST LIFT



Technical parameters

Lifting capacity	4000kg
Mount width	3369mm
Height of post	2774mm
Lifting height	1833mm
Width between post	2795mm
Min height	105mm
Lifting time	<50s
Lowering time	<40s
Motor power	2.2kw
Power supply	220v/380v



Detail



Manual two sides lock release Underlying release cable



High-precision 5 degrees arm lock



2-stage Screw-up pads



Door Opening Protection Rubber



Strengthen carriage Inner arm lock



Parachute valve

OPARCK

More information please login:
www.oparck.com www.sxdinggao.en.alibaba.com

SHAOXINGDINGGAOMECHANICAL EQUIPMENT CO., LTD.

NO.186 Mashan Road, Paojiang Industrial Zone, Shaoxing, Zhejiang, China
 TEL: 0086-0575-84623366 FAX: 0086-0575-84623331
 E-mail: lichao@dinggaomechanical.com



www.oparck.com



www.sxdinggao.en.alibaba.com

OPARCK

SHAOKING DINGGAO MECHANICAL EQUIPMENT CO., LTD.



YH-9B TWO POST LIFT

More information please login
www.oparck.com
www.sxdinggao.en.alibaba.com

PRODUCT DESCRIPTION

- Two post car lift, beautiful appearance, save space. Maintenance and repair.
- Motor driven oil pump driven hydraulic cylinder, wire rope drive, quiet working environment.
- Mechanical safety lock, can be arbitrarily locked in the design range of height for operation, safe and reliable.
- Bilateral manual unlocking, convenient and fast, safety device for chain break.
- After strict CE certification test, 120% dynamic load test, 150% static load test.



FOCUS ON R&D, MANUFACTURING AND SALES OF CAR LIFT EQUIPMENT

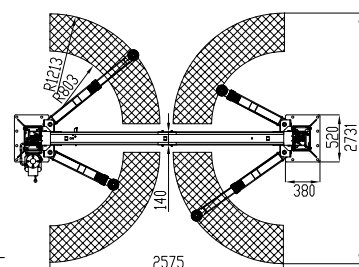
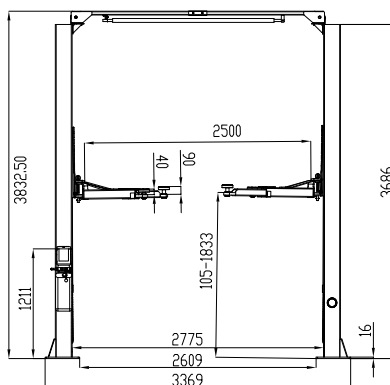
YH-9B

TWO POST LIFT



Technical parameters

Lifting capacity	4000kg
Mount width	3369mm
Height of post	3686mm
Lifting height	1833mm
Width between post	2765mm
Min height	105mm
Lifting time	<50s
Lowering time	<40s
Motor power	2.2kw
Power supply	220v/380v



Detail



Manual two sides lock release Underlying release cable



High-precision 5 degrees arm lock



2-stage Screw-up pads



Door Opening Protection Rubber



Strengthen carriage Inner arm lock



Parachute valve

OPARCK

More information please login:
www.oparck.com www.sxdinggao.en.alibaba.com

SHAOXINGDINGGAOMECHANICAL EQUIPMENT CO., LTD.

NO.186 Mashan Road, Paojiang Industrial Zone, Shaoxing, Zhejiang, China
 TEL: 0086-0575-84623366 FAX: 0086-0575-84623331
 E-mail: lichao@sxdinggao.com



www.oparck.com



www.sxdinggao.en.alibaba.com



YH-9C TWO POST LIFT

More information please login
www.oparck.com
www.sxdinggao.en.alibaba.com

PRODUCT DESCRIPTION

- Two post car lift, beautiful appearance, save space. Maintenance and repair.
- Motor driven oil pump driven hydraulic cylinder, wire rope drive, quiet working environment.
- Mechanical safety lock, can be arbitrarily locked in the design range of height for operation, safe and reliable.
- Bilateral manual unlocking, convenient and fast, safety device for chain break.
- After strict CE certification test, 120% dynamic load test, 150% static load test.



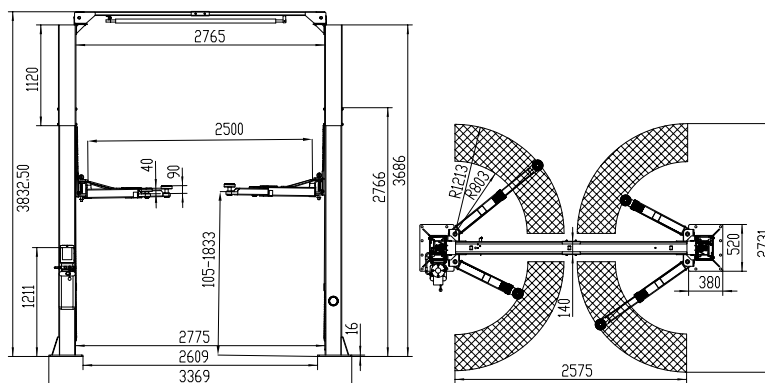
YH-9C

TWO POST LIFT



Technical parameters

Lifting capacity	4000kg
Mount width	3369mm
Height of post	3686mm
Lifting height	1833mm
Width between post	2765mm
Min height	105mm
Lifting time	<50s
Lowering time	<40s
Motor power	2.2kw
Power supply	220v/380v



Detail



Manual two sides lock release Underlying release cable



High-precision 5 degrees arm lock



2-stage Screw-up pads



Door Opening Protection Rubber



Strengthen carriage Inner arm lock



Parachute valve

OPARCK

More information please login:
www.oparck.com www.sxdinggao.en.alibaba.com

SHAOXINGDINGGAOMECHANICAL EQUIPMENT CO., LTD.

NO.186 Mashan Road, Paojiang Industrial Zone, Shaoxing, Zhejiang, China
 TEL: 0086-0575-84623366 FAX: 0086-0575-84623331
 E-mail: lichao@sxdinggao.com



www.oparck.com



www.sxdinggao.en.alibaba.com