

PP8H

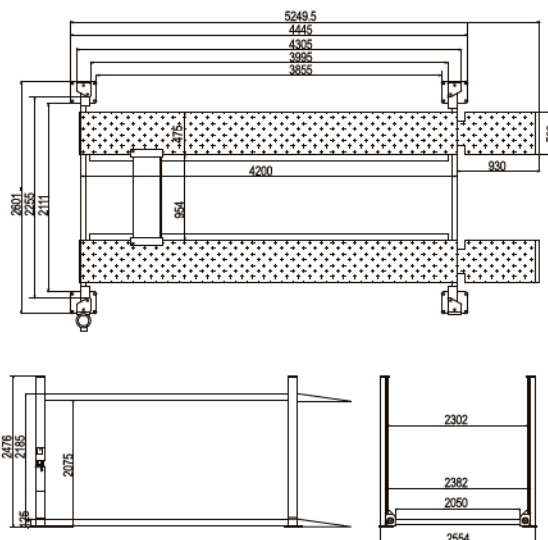
FOUR POST LIFT

四柱举升机



技术参数 Technical parameters

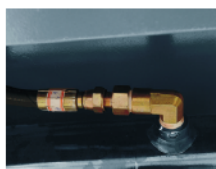
型号	Model	PP-8H
长x宽x高	LxWxH	5249.5x2601x2476mm
举升高度	Lifting Height	2185mm
举升时间	Lifting Time	50s
柱间长	Length of Columns	3995mm
总长度	Overall Length	5249.5mm
立柱底板间宽度	Inside Soleplate of Columns Width	2111mm
总宽度	Overall Width	2601mm
平台长度	Platform Length	4200mm
载重量	Lifting Capacity	(8000lbs)3600kg
跑道宽度	Runway Width	475mm
跑道间宽度	Width Between Runway	954mm
包装尺寸	Packing Size	4300x570x725mm
毛重	Gross Weight	840kg



细节说明 Detail



倍增滑轮结构。
Multiplying pulley structure.



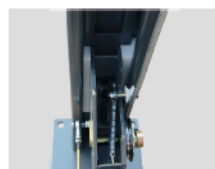
防爆阀。
Explosion-proof valve.



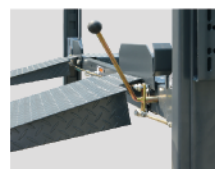
移动架在空载时能方便
举升机的移动。
Caster kit can make people move
lift easy when no-load .



带有黄色滑条的上坡板可以
警示人们并保护地面摩擦。
Up ramp with yellow slider can
warn people and protect friction.



钢丝绳断裂保险机构。
Safety mechanism for protect
quickly declined cause by cable
breakage.



手动保险杆。
Manual safety bar.

OPARICK

更多信息请登录 More information please login:
www.dinggaojx.cn www.sxdinggao.en.alibaba.com

绍兴鼎高机械设备有限公司
SHAOXING DINGGAOMECHANICAL EQUIPMENT CO., LTD.

浙江省绍兴市袍江工业区马山路186号
NO.186 Mashan Road, Paojiang Industrial Zone, Shaoxing, Zhejiang, China
TEL: 0086-0575-84623366 FAX: 0086-0575-84623331
E-mail: lichao@dinggaomechanical.com



www.dinggaojx.cn



www.sxdinggao.en.alibaba.com



PP8H

FOUR POST LIFT

四柱举升机

更多信息请登录
More information please login
www.dinggaojx.cn
www.sxdinggao.en.alibaba.com

产品说明

- 垂直升降停车举升机，是商用车和SUV中大型车辆停放的理想设备，举升高度2185mm，举升重量8000lbs。
- 安装方便，结构紧凑，特殊的移动配件使整个装置在空载时移动方便。
- 手动机械保险机构和钢丝绳断裂保护机构，双重安全机构，更安全。
- 它在柱子上使用高密度滑块，使用寿命长。
- 油管上的防爆节流阀，它能防止油管爆裂而引起的快速下落。
- 平台采用高强度防滑花纹板整体成型。
- 专用刹车块可防止车辆移动。
- 可选配二次举升小车，方便车辆维修。

PRODUCT DESCRIPTION

- Vertical rise and fall parking lift, It is the ideal equipment for commercial vehicles and SUV medium and large vehicles parking, Lifting height 2185mm, lifting capacity 8000 lbs.
- Convenient installation, compact structure, the special mobile fitting make the whole device move convenient when no-load.
- Manual mechanical safety organ and wire rope fracture protective mechanism, double safety mechanism, more safety.
- It use high density slide blocks in the columns, Long service life.
- Explosion-proof throttle valve on the oil tube, It can prevent falling fast because of oil tube burst.
- The platform is made of high strength antiskid pattern plate overall molding.
- The special brake block can prevent the vehicles moving.
- Optional rolling jack, convenient for maintenance vehicles.

