



PP8HL

FOUR POST LIFT

More information please login
www.dinggaojx.cn
www.sxdinggao.en.alibaba.com

PRODUCT DESCRIPTION

- Vertical rise and fall parking lift, It is the ideal equipment for commercial vehicles and SUV medium and large vehicles parking, Lifting height 2185mm, lifting capacity 8000 lbs.
- Convenient installation, compact structure, the special mobile fitting make the whole device move convenient when no-load.
- Manual mechanical safety organ and wire rope fracture protective mechanism, double safety mechanism, more safety.
- It use high density slide blocks in the columns, Long service life.
- Explosion-proof throttle valve on the oil tube. It can prevent falling fast because of oil tube burst.
- The platform is made of high strength antiskid pattern plate overall molding.
- The special brake block can prevent the vehicles moving.
- Optional rolling jack, convenient for maintenance vehicles.



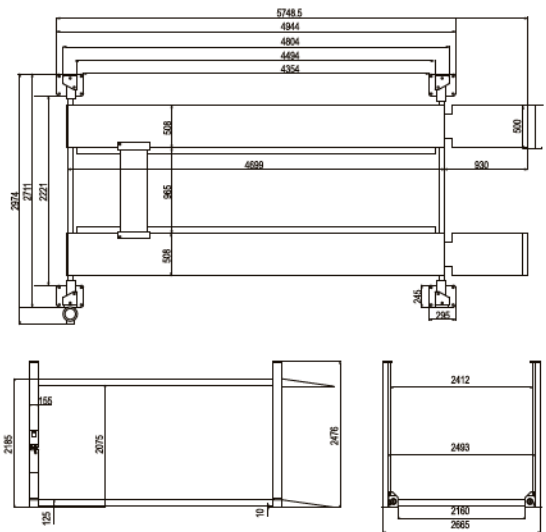
PP8HL

FOUR POST LIFT

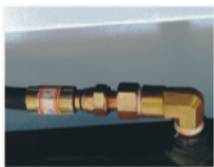


Technical parameters

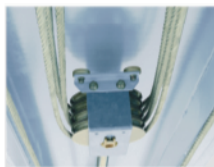
Model	PP-8HL
LxWxH	5748.5x2974x2476mm
Lifting Height	2185mm
Lifting Time	70s
Length of Columns	4494mm
Overall Length	5748.5mm
Inside Soleplate of Columns Width	2221mm
Overall Width	2974mm
Platform Length	4699mm
Lifting Capacity	(8000lbs)3600kg
Runway Width	508mm
Width Between Runway	965mm
Packing Size	4800x570x725mm
Gross Weight	890kg



Detail



Explosion-proof valve.



Multiplying pulley structure.



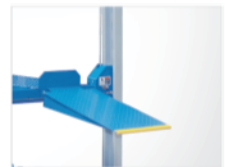
Manual safety bar for release.



Safety mechanism for protect quickly declined caused by cable breakage.



Caster kit can make people move lift easy when no-load.



Up ramp with yellow slider can Warn people and protect friction.

OPARICK

More information please login:
www.dinggaojx.cn www.sxdinggao.en.alibaba.com

SHAOXINGDINGGAOMECHANICAL EQUIPMENT CO., LTD.

NO.186 Mashan Road, Paojiang Industrial Zone, Shaoxing, Zhejiang, China
 TEL: 0086-0575-84623366 FAX: 0086-0575-84623331
 E-mail: lichao@dinggaomechanical.com



www.dinggaojx.cn



www.sxdinggao.en.alibaba.com