



PP8S FOUR POST LIFT

More information please login
www.dinggaojx.cn
www.sxdinggao.en.alibaba.com

PRODUCT DESCRIPTION

- Vertical rise and fall parking lift , It is the ideal equipment for the ordinary vehicle parking Lifting height 1845mm, Lifting capacity 8000 lbs.
- Convenient installation, compact structure, the special mobile fitting make the whole device move convenient when no-load.
- Manual mechanical safety organ and wire rope fracture protective mechanism, double safety mechanism, more safety.
- It use high density slide blocks in the columns, Long service life.
- Explosion-proof throttle valve on the oil tube, It can prevent falling fast because of oil tube burst.
- The platform is made of high strength antiskid pattern plate overall molding.
- The special brake block can prevent the vehicles moving.
- Optional rolling jack, convenient for maintenance vehicles.



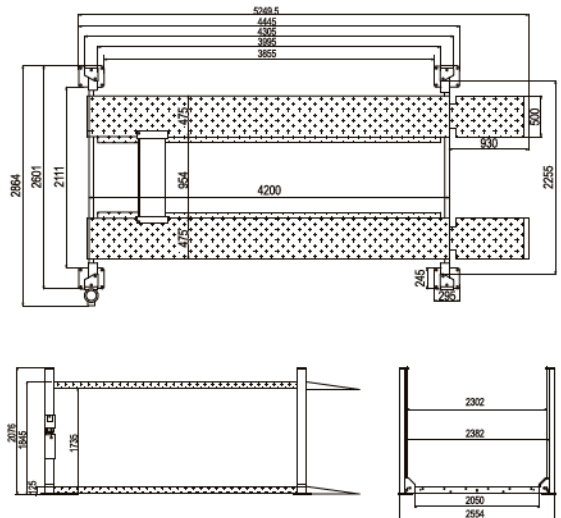
PP8S

FOUR POST LIFT



Technical parameters

Model	PP-8S
LxWxH	5249.5x2864x2076mm
Lifting Height	1845mm
Lifting Time	50s
Length of Columns	3995mm
Overall Length	5249.5mm
Inside Soleplate of Columns Width	2111mm
Overall Width	2864mm
Platform Length	4200mm
Lifting Capacity	(8000lbs)3600kg
Runway Width	475mm
Width Between Runway	954mm
Packing Size	4300x570x725mm
Gross Weight	780kg



Detail



Oil cylinder with explosion-proof valve.



People move lift easy when no-load.



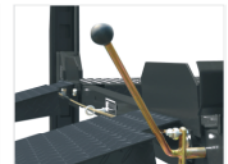
For safety mechanism protect quickly declined cause by wire rope breakage.



Up ramp with yellow slider can warn people and protect friction.



Cable connection under main platform.



Manual safety bar for release.

OPARICK

More information please login:
www.dinggaojx.cn www.sxdinggao.en.alibaba.com

SHAOXING DINGGAOMECHANICAL EQUIPMENT CO., LTD.

NO.186 Mashan Road, Paojiang Industrial Zone, Shaoxing, Zhejiang, China
 TEL: 0086-0575-84623366 FAX: 0086-0575-84623331
 E-mail: lichao@dinggaomechanical.com



www.dinggaojx.cn



www.sxdinggao.en.alibaba.com