



## YH-9A

### TWO POST LIFT

More information please login  
[www.oparck.com](http://www.oparck.com)  
[www.sxdinggao.en.alibaba.com](http://www.sxdinggao.en.alibaba.com)

### PRODUCT DESCRIPTION

- Two post car lift, beautiful appearance, save space. Maintenance and repair.
- Motor driven oil pump driven hydraulic cylinder, wire rope drive, quiet working environment.
- Mechanical safety lock, can be arbitrarily locked in the design range of height for operation, safe and reliable.
- Bilateral manual unlocking, convenient and fast, safety device for chain break.
- After strict CE certification test, 120% dynamic load test, 150% static load test.



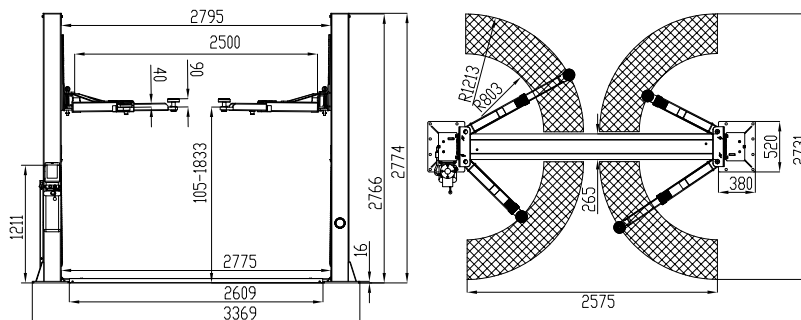
# YH-9A

## TWO POST LIFT



### Technical parameters

Lifting capacity	4000kg
Mount width	3369mm
Height of post	2774mm
Lifting height	1833mm
Width between post	2795mm
Min height	105mm
Lifting time	<50s
Lowering time	<40s
Motor power	2.2kw
Power supply	220v/380v



### Detail



Manual two sides lock release Underlying release cable



High-precision 5 degrees arm lock



2-stage Screw-up pads



Door Opening Protection Rubber



Strengthen carriage Inner arm lock



Parachute valve

# OPARCK

More information please login:  
[www.oparck.com](http://www.oparck.com) [www.sxdinggao.en.alibaba.com](http://www.sxdinggao.en.alibaba.com)

SHAOXINGDINGGAOMECHANICAL EQUIPMENT CO., LTD.

NO.186 Mashan Road, Paojiang Industrial Zone, Shaoxing, Zhejiang, China  
 TEL: 0086-0575-84623366 FAX: 0086-0575-84623331  
 E-mail: lichao@dinggaomechanical.com



[www.oparck.com](http://www.oparck.com)



[www.sxdinggao.en.alibaba.com](http://www.sxdinggao.en.alibaba.com)