



PP-8SU

FOUR POST PARKING GARAGE LIFT

More information please login
www.oparck.com
www.sxdinggao.en.alibaba.com

PRODUCT DESCRIPTION

- Beautiful appearance, save space
- Motor drive oil pump drive hydraulic cylinder, wire rope drive, quiet working environment
- Mechanical safety lock, can be arbitrarily locked in the design range of the height of the operation, safe and reliable
- The levelness of the four angles in the locked position can be adjusted
- A set of throttle valves is installed in the oil circuit



PP-8SU

FOUR POST PARKING GARAGE LIFT

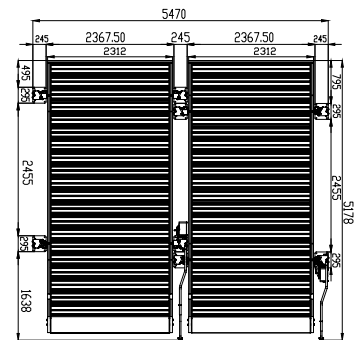
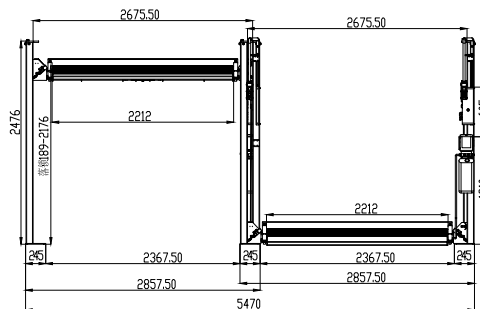
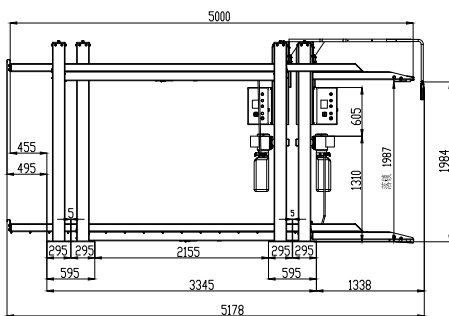


技术参数 Technical parameters

Model	PP-8SU
Capacity	3600KG
Max. Lifting Height (upper platform)	1987mm
Lifting time	50s
Min Height	189mm
Overall length	5178mm
Inside column width	2675.5mm

技术参数 Technical parameters

Model	PP-8SU
Overall Width	2857.5mm
Platform Length	5000mm
Runway Width	2212mm
Width between runway	1121mm
Platform capacity	3600KG



细节说明 Detail



Electronic control



Upper limit switch



Wave plate for vehicle loading



The structure of cable and pulley under main runway.



Lifting switch

OPARCK

More information please login:
www.oparck.com www.sxdinggao.en.alibaba.com

SHAOXINGDINGGAOMECHANICAL EQUIPMENT CO., LTD.

NO.186 Mashan Road, Paojiang Industrial Zone, Shaoxing, Zhejiang, China
 TEL: 0086-0575-84623366 FAX: 0086-0575-84623331
 E-mail: lichao@dinggao.com



www.oparck.com



www.sxdinggao.en.alibaba.com