



OPK-ME-1000

MOTORCYCLE LIFT

More information please login
www.oparck.com
www.sxdinggao.en.alibaba.com

PRODUCT DESCRIPTION

- Pneumatic foot step control
- Side extensions-optional
- Front table extension-optional
- Fast lifting
- Pneumatic lifting cylinder
- Adjustable front wheel vise
- Rear wheel repair pit reverse



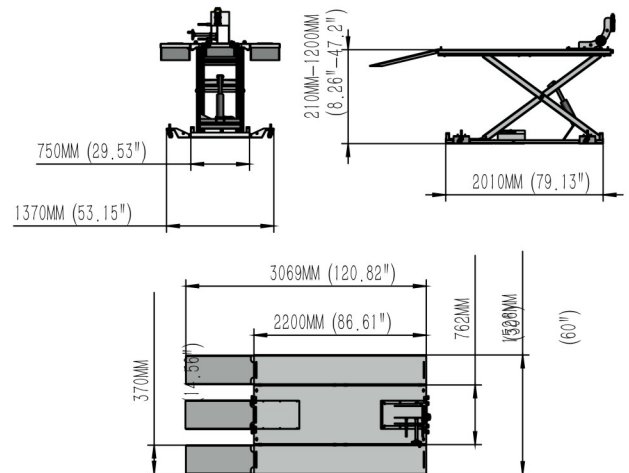
OPK-ME-1000

MOTORCYCLE LIFT



Technical parameters

Model	OPK-ME-1000(KG)	OPK-ME-2200-W
Max. Lifting Height	1200mm	47.2"
Min. Lifting Height	210mm	8.2"
Lifting Capacity	1000kg	2200LBS
Platform Length	2200mm	86.6"
Platform Width	762mm+381mm+381mm	30"+15"+15"
Lifting Time	45s	45s
Voltage	110V/240V(Customizable)	110V/240V(Customizable)
Net weight	460kg	1014 LBS
Packing Size(Subject)	2300x830x430mm	90.5"x32.6"x16.9"
Packing Size(Hand operated accessories)	610x470x450mm	24"x18.5"x17.7"
Packing Size(Automatic accessories)	590x410x370mm	23.2"x16.1"x14.5"



Detail



OPARCK

More information please login:
www.oparck.com www.sxdinggao.en.alibaba.com

SHAOXINGDINGGAOMECHANICAL EQUIPMENT CO., LTD.

浙江省绍兴市袍江工业区马山路186号
 NO.186 Mashan Road, Paojiang Industrial Zone, Shaoxing, Zhejiang, China
 TEL: 0086-0575-84623366 FAX: 0086-0575-84623331
 E-mail: lichao@dinggaomechanical.com



www.oparck.com



www.sxdinggao.en.alibaba.com