



YH-6.3T

OPEN CAR LIFT

More information please login
www.oparck.com
www.sxdinggao.en.alibaba.com

PRODUCT DESCRIPTION

- Beams using high strength rectangular tube.
- Platform overall molding,bearing up to 6.3T.
- Automatic reset type pneumatic safety valves,safety , reliable and high efficiency synchronization.
- Export pneumatic components,long service life.
- Wire rope fracture protective mechanism,can effectively prevent the steel wire rope drop fast when fracture
- Four columns secure level accurate adjustable
- All moving parts are equipped with grease nipple,convenient to fill lubricating oil
- Yellow warning removable parts on the slope,at the same time of warning also protect the ground friction
- Optional slide plate and rolling jack for four-wheel alignment.
- Optional pneumatic or electric rolling jack,Capacity 6.3T(14000 pounds)
- Explosion-proof throttle valve on the oil tube. It can prevent falling fast Caused by oil tube burst.



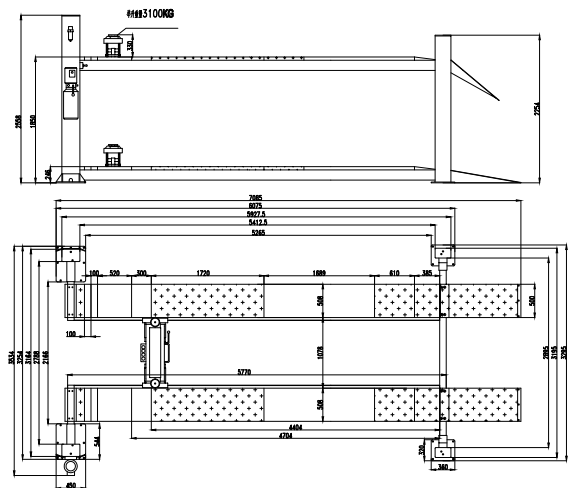
YH-6.3T

OPEN CAR LIFT



技术参数 Technical parameters

Model	YH-6.3T
LxWxH	7085x3534x2558mm
Max.Lifting Height	1850mm
Min.Height	246mm
Lifting Distance	1750mm
Lifting Time	50s
Length of Columns	5265mm
Overall Length	7085mm
Inside Soleplate of Columns	2166mm
Overall Width	3534mm
Platform Length	5770mm
Lifting Capacity	6.3T(14000 pounds)
Runway Width	508mm
Width Between Runway	1078mm



细节说明 Detail



Air cylinder for air release.



Optional pneumatic or electric rolling jack, Optional rouing jaek.
Capacity 3.2T(7000 pounds).



Wire rope $\Phi 12.5$



High streng wear-resistant wie rope.

OPARCK

More information please login:
www.oparck.com www.sxdinggao.en.alibaba.com

SHAOXINGDINGGAOMECHANICAL EQUIPMENT CO., LTD.

NO.186 Mashan Road, Paojiang Industrial Zone, Shaoxing, Zhejiang, China
TEL.: 0086-0575-84623366 FAX: 0086-0575-84623331
E-mail: lichao@dinggao.com



www.oparck.com



www.sxdinggao.en.alibaba.com